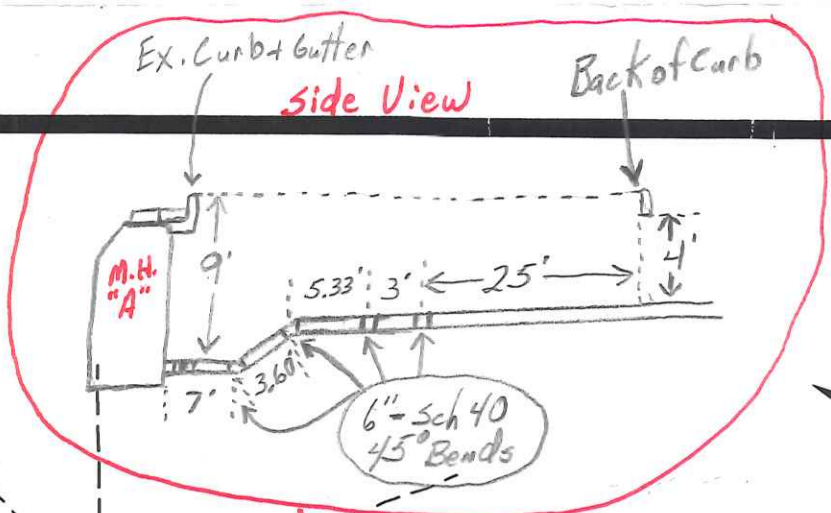


BURGER KING AS-BUILTS



U.S. ROUTES 6 & 24

STORM SEWER STRUCTURE SCHEDULE

- 1. EX. STM. M.H. TOP 683.53 INV. 679.81, 12" S & E INV. 679.83, 12" W

STORM SEWER STRUCTURE SCHEDULE

- 10. PROP. CATCH BASIN TOP 682.00 INV. 679.00, 12" SE

SANITARY SEWER STRUCTURE SCHEDULE

- A. EX. SAN. M.H. TOP 683.16 INV. 674.35, 6" E (TO BE PLUGGED)

NOTE: ONLY ITEMS MARKED WITH A SQUARE ARE IN THIS CONTRACT. REFER TO DETAIL SHEETS.

DETAILS

- 25 CATCH BASIN
- 25A ALT. CATCH BASIN
- 27 MANHOLE

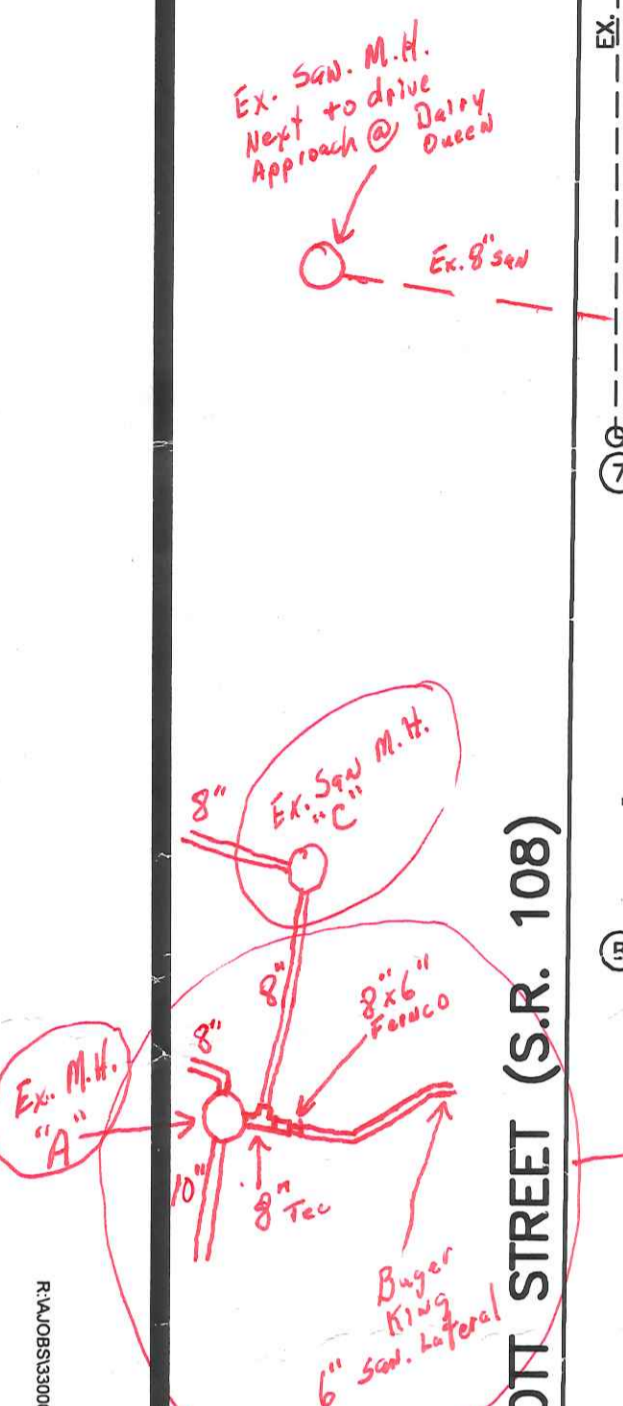
NOTES

- 1 ROOF DRAIN LEADERS THRU CURB
- 2 1-1/2" PVC IRRIGATION VALVE AND BOX
- 3 WATER SERVICE (SIZE ON SHEET P-2)

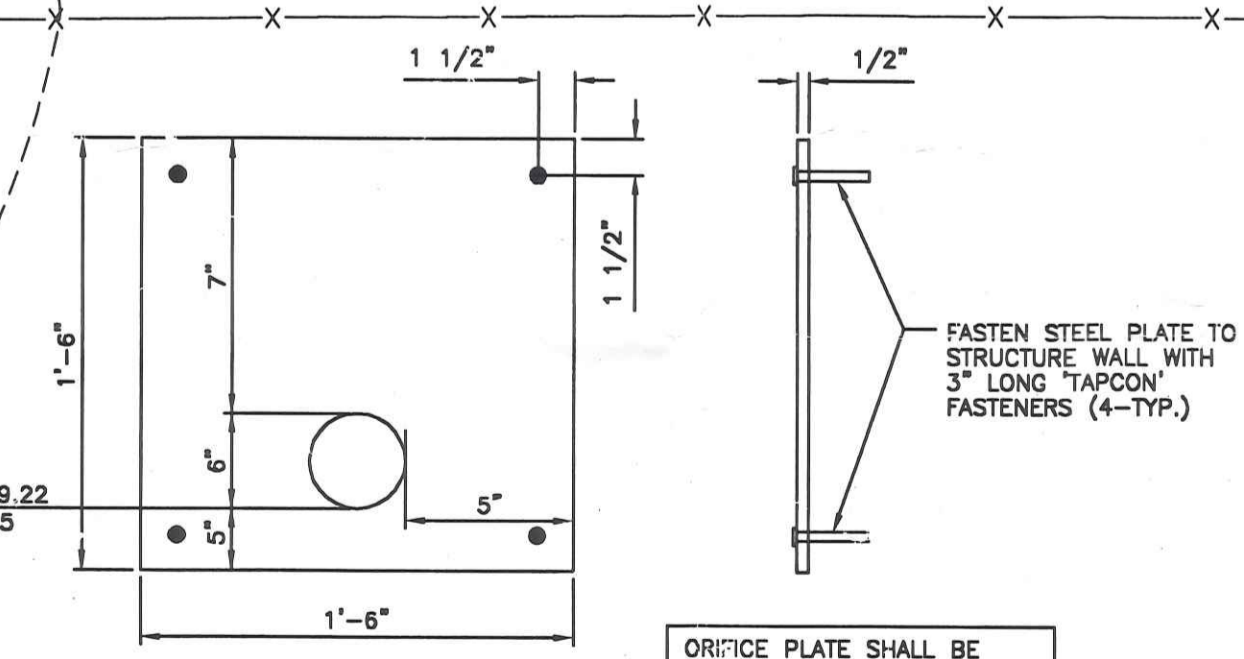
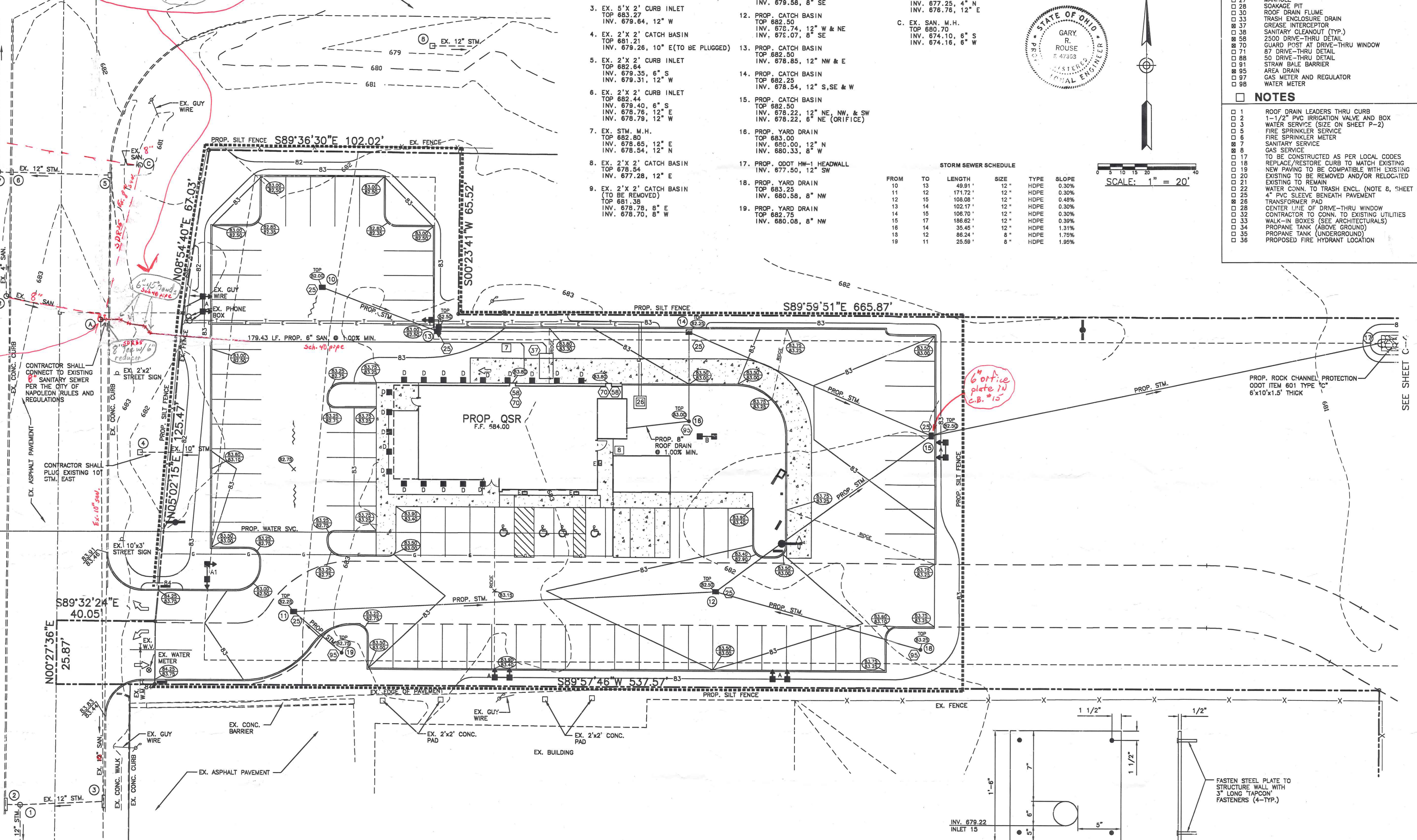


SCALE: 1" = 20'

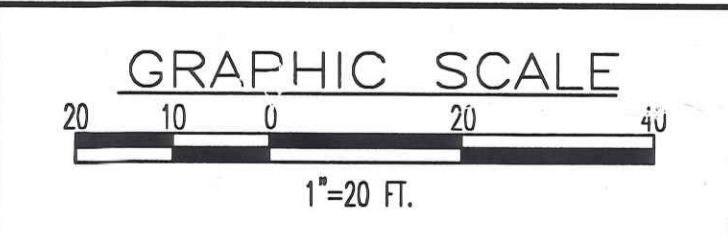
STORM SEWER SCHEDULE table with columns: FROM, TO, LENGTH, SIZE, TYPE, SLOPE



CONTRACTOR SHALL FIELD VERIFY EXACT LOCATION OF EX. WATER MAIN AND COORDINATE SERVICE CONNECTION WITH WATER COMPANY



ORIFICE PLATE DETAIL NO SCALE



NOTE PLEASE REFER TO SHEET C-1 FOR LEGEND INFORMATION.

SEE SHEETS C-5 THRU C-8 FOR SITE DETAILS.

GBC DESIGN, INC. 3378 W. Market St. Akron, OH 44333-3386

RESTAURANT FOR:

QUANTA ADVERTISING, INC.

PARKING CIVIL ENGINEERING PLANS RESTAURANT NORTH SCOTT STREET NAPOLEON, OHIO GRADING PLAN